

13. Upon Completion

- Check door operation to ensure door opens and closes satisfactorily. Adjust spring tension if necessary. (See Maintenance label on lower side seal).
- Ensure all fixings are securely tightened.
- Do not paint the spring or any moving parts.
- Lubricate all moving parts and pivot points (refer to maintenance label for details).
- Lubrication is essential on an ongoing basis to ensure the continuing smooth operation of your door.
- Ask your professional Garage Door Specialist about automated operation of this door.

14. Trouble Shooting

DOOR IS HEAVY TO OPEN

Cause: Spring tension too low.

Solution: Re-set spring tension as detailed on the door maintenance label.

DOOR OPENS TOO QUICKLY

Cause: Spring tension set too high.

Solution: Re-set spring tension as detailed on the door maintenance label.

DOOR DOES NOT DELATCH

Cause: Incorrect latch setting.

Solution: If you are not locked out of the garage at the time, re-set to correct 6mm latch engagement with the latch plates. If you are locked out of the garage, call your installer/supplier for assistance

15. Power Operation

This door is suitable for power operation. In order to conform with current legislation, only independently tested and certified operators may be fitted. A list of approved operators is contained on the Declaration of Incorporation supplied with your door.

Tracked - Framed Single Door & Maximizer Door Gear

DISMANTLING INSTRUCTIONS

THESE INSTRUCTIONS MUST BE FOLLOWED CAREFULLY, GARAGE DOORS ARE HEAVY AND AWKWARD TO HANDLE.

ENSURE ASSISTANCE IS AVAILABLE AND THAT SAFETY GLOVES ARE WORN

DOOR ONLY

1. The door must be dismantled with care. Always ensure that the structure is well supported during dismantling and that parts are not allowed to fall or pivot in an uncontrolled manner.
2. Start from inside the garage and ensure that all necessary lighting, tools and personnel are available. The door should be opened and propped securely in the opening. The door springs can be carefully removed by disengaging from the spring hooks (see note 9 for reference). The springs and hooks can now be detached from the door. The door leaf should now be carefully moved to the closed position with packers placed under bottom of door. The door should be secured with supports in the fully closed position.
3. The gear arms can now be detached from the frame - taking care to lower the arms to the floor after removal of the fixing screws.
4. Release the 'C' tracks from the ceiling supports and lower towards the front of the door. Remove the ceiling track supports (see note 8 and 10 for reference).
5. Detach the 'C' track front brackets from the frame taking care to support the 'C' tracks which will then detach from the opening.
6. Remove the spring anchor bracket and latch plates by removing the local fasteners. Remove the pivot blocks and the rubber side seals.
7. The door can now be carefully handling; the prop supports removed and the door will release from the opening. Ensure that hands will not come into contact with any sharp edges and wear gloves if necessary. Always take care when handling heavy items.

DOOR AND FRAME

1. Remove any sealant from around frame.
2. Follow 'DOOR ONLY' - instruction 2 from above.
3. Refit transit screws (No. 14 x 1/2") to secure door to frame (See Fig 2).
4. Release and lower 'C' tracks as per 'DOOR ONLY' - instruction 4 from above.
5. Tie 'C' tracks to door arms using cable ties or strong cord.
6. Remove floor brackets (See Fig 2) and wall mounting brackets. This will allow removal of door/frame unit.
7. Follow 'DOOR ONLY' - instruction 7 from above.

Dispose of all unwanted parts in accordance with best practices and legislation.

Tracked - Framed Single Door & Maximizer Door Gear

INSTALLATION INSTRUCTIONS

This garage door has been designed to be as easy as possible to use, service and automate when installed correctly. Please therefore take time to read these instructions fully before beginning any work.



IMPORTANT INFORMATION

1. This garage door is intended for domestic use only.
2. Garage doors are heavy and may have sharp edges. Wear protective gloves. Installation should not be undertaken alone. Care must be taken when handling and eye protection must be worn.
3. Ensure the door is continuously supported before it is secured and avoid installing in windy conditions.
4. Do not attempt to install or adjust this door if you are unsure of any of the instructions below. If in doubt contact a professional installer.

BEFORE COMMENCING WORK

1 Remove all wrapping

Before starting: remove all wrapping and check door unit has been supplied with correct parts. Door/Frame assembly has all necessary items attached to rear of door. Remove lock/fixing blister packs and check that parts supplied correspond with packing slips.

2 Check headroom

There must be a minimum of 42mm headroom above lower face of lintel. This must reach back into the garage for at least 1875mm.

3 Tools

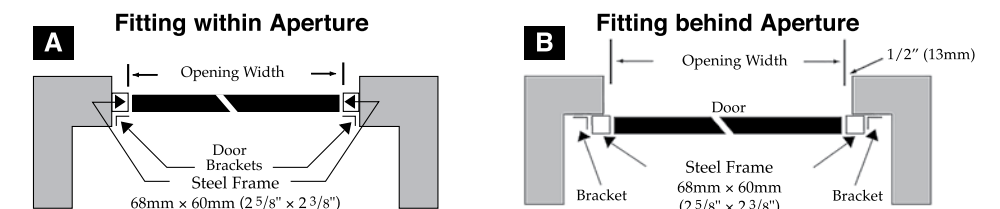
All the initial fitting work is done from inside the garage, so tools and parts should be to hand before door is placed in the opening.

4 Check opening size

Before fitting door unit, check size and squareness of brickwork aperture.

NOTE A
No wall plugs are provided. It is the responsibility of the installer to provide and fit wall plugs suitable for the structure to which the door is to be fitted.

FITTING TO BRICKWORK



Dimensions of steel frames are: 136mm (5 3/8") greater than opening width, 68mm (2 11/16") greater than opening height, 60mm (2 3/8") deep all round.

Note to installer: Please ensure that this instruction sheet remains with the door for the owner's future reference.

FITTING YOUR DOOR

Assembly diagram

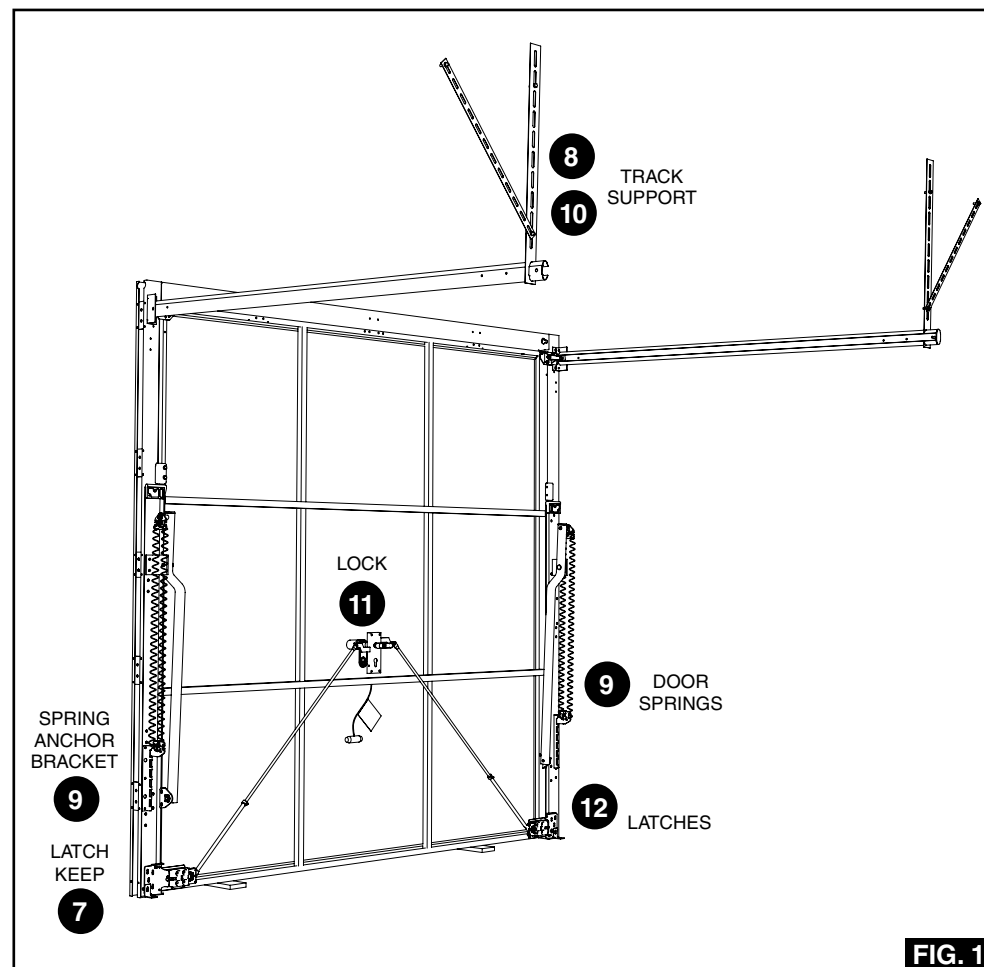


FIG. 1

YOU WILL NEED

- 6mm & 10mm flat bladed screwdriver
- No. 2 & 3 posi-drive screwdriver
- 13mm A/F socket/spanner
- 7mm A/F socket/spanner
- 12mm A/F socket/spanner
- 10mm A/F socket/spanner
- Protective gloves and safety glasses
- Sharp knife or side cutters
- Tape Measure
- Door props
- Masonry drill bit
- Hammer
- Grease
- Wedges (packing pieces)
- Engineer's pliers

1. Prior to Installation

Remove all items as listed below and place them inside the garage for later use:-

- Handle and Fixing packs
- Springs
- Ceiling Supports and Cross Braces

2. Place door unit centrally in aperture and prop securely in position.

3. Fitting Door Within Aperture

Fit three wall fixing brackets to back of frame as shown in Fig A. using two off No. 14 x 1" Hex head self tapping screws per bracket.

4. Fitting Door Behind Aperture

Fit three wall fixing brackets to side of frame as shown in Fig B. using two M6 x 20mm sem screws and two M6 washers per bracket.

5. Fix wall fixing brackets to wall both sides using 1 off M8 x 50 coach screw and M8 washer per bracket. Use suitable wall plugs (See Note A).

6. Fit floor brackets to frame using 1 off No. 14 x 1" self tapping screws (See Fig 2). Fix floor brackets to floor using M8 x 50mm coach screw and M8 washer. Use suitable wall plugs (See Note A).

7. Remove transit screws securing door panel to lower latch keep. (See Fig 2).

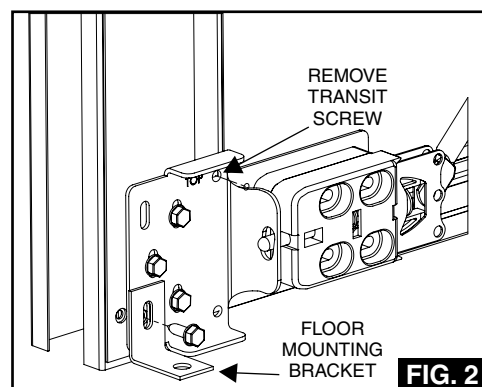


FIG. 2

8. Align the 'C' Tracks

Using the slots provided close to the rear of the track clip in the ceiling support. Raise the track as shown in Fig 1. and slide the ceiling support to a convenient roof joist within 200mm from the rear of the track (See Fig 3a and 3b). Tracks should slope downwards approximately 1" (25mm) from front to back. Secure ceiling support to joist using 1 off 38 x 8mm Hex head screw. At this stage the tracks should be able to swing sideways.



FIG. 3a

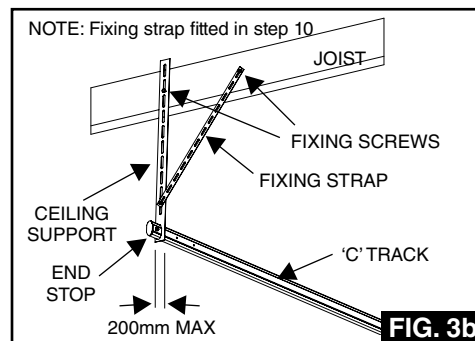


FIG. 3b

9. Fit Door Springs

Establish gear setting positions for door from label attached to back of door. **NOTE:** setting 1 is top anchor position.

Fully open door and prop securely in position. Wearing eye protection fit lower spring hooks as shown and fit springs to spring hooks in orientation shown (See Fig 4).

NOTE: Spring loops to be located on anchor bracket hooks facing outwards so that spring body is located in board of spring anchor brackets. When using centre hook, spring will require twisting 180 degrees.

Always use the same number of springs on each side. For 2 springs use outer hooks, for 1 spring use centre hook, for 3 springs use all hooks. A minimum of 2 through to a maximum of 3 springs per side may be supplied depending upon door weight. Check door operation and re-tension if necessary. (See maintenance label on side seals for details).

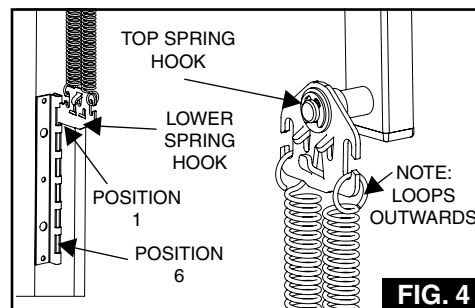


FIG. 4

10. Fully fix Tracks

With the door in the open position check that the tracks are parallel. This can be checked by ensuring both roller wheels touch the track end stops simultaneously. The tracks can be moved sideways in either direction to achieve this. Once parallel fully fix tracks by securing a cross brace using the M8 nut, bolt and shakeproof washer provided. Secure each brace diagonally back to the joist using 1 off 38 x 8mm Hex head screw (See Fig 3b). Place a second 38 x 8mm Hex head screw to finally secure the ceiling support.

11. Fit Lock

Check that there is a black spacer bush fitted into face of door (See Fig 5).

a) If supplied, fit fascia plate to front of door.

b) Remove the screw and washer from the outer handle (See Fig 5) and pass the handle spindle through the lock as shown.

c) Fit the inner handle and secure using the screw and washer just removed. **DO NOT OVERTIGHTEN.**

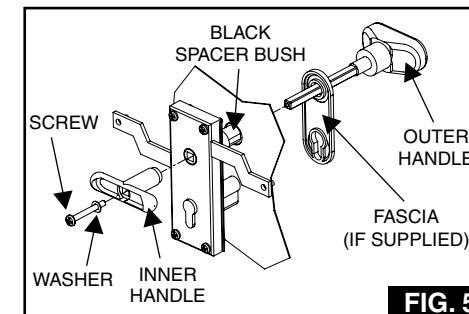


FIG. 5

12. Adjust Latches

CAUTION: Do not close door from outside until all latches have been checked for correct settings and operation. Failure to follow these instructions may result in a lock out situation and a chargeable service call may result.

12a. Adjust Latches (Engagement)

From inside garage with door fully closed, check that latch pin has approximately 6mm engagement in latch keep (See Fig 6).

If insufficient or excessive engagement:-

- loosen adjuster screw on lock bars.
- prise off latch body cover and loosen off 4 Hex HD screws securing latch body to door (See Fig 6).
- move latch body horizontally on slots until correct 6mm engagement is achieved.
- re-tighten 4 Hex HD screws and refit cover.
- Ensure bell crank is flush with latch body (See Fig 6) and re-tighten lock bar adjuster screw.
- repeat for other latch pin if necessary.

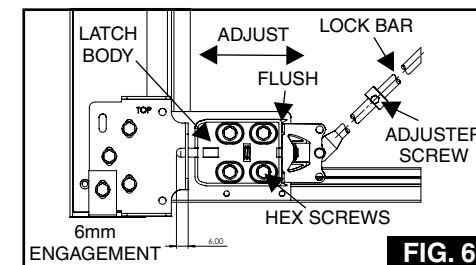


FIG. 6

12b. Adjust Latches (Closure)

From inside garage with door closed, check that latch pin is pulling latch closure plate tightly against latch keep (See Fig 7).

- if necessary loosen 3 screws securing latch keep to frame and adjust latch keep vertically to give correct closure.
- when correct re-tighten screws.
- repeat for other latch if necessary.

12c. Important Check for correct operation of latches, using both the internal and external handles. When satisfied, tighten all screws.

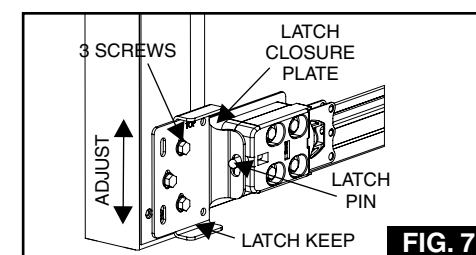


FIG. 7