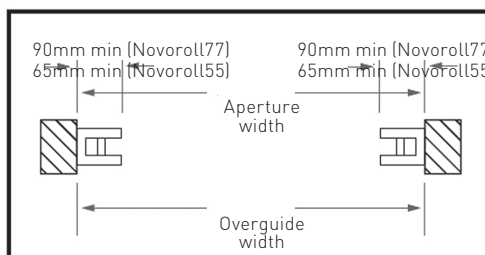
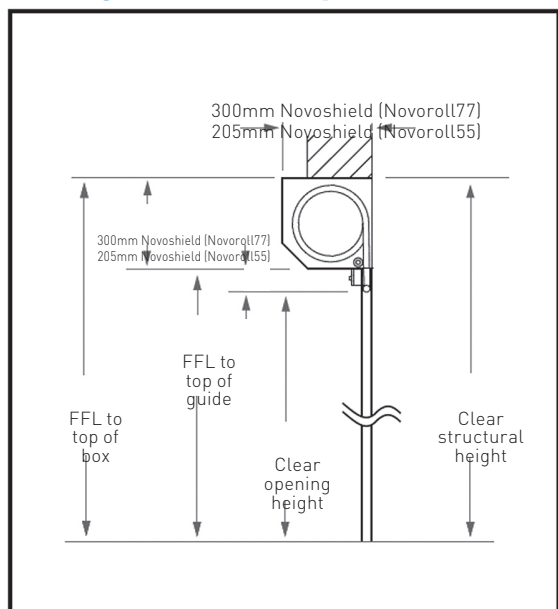
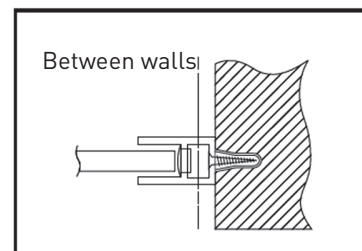
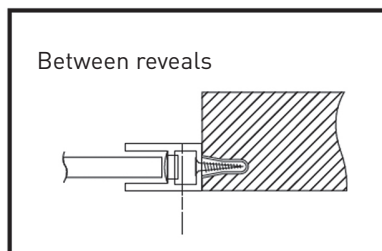


# Insulated Roller Garage Doors

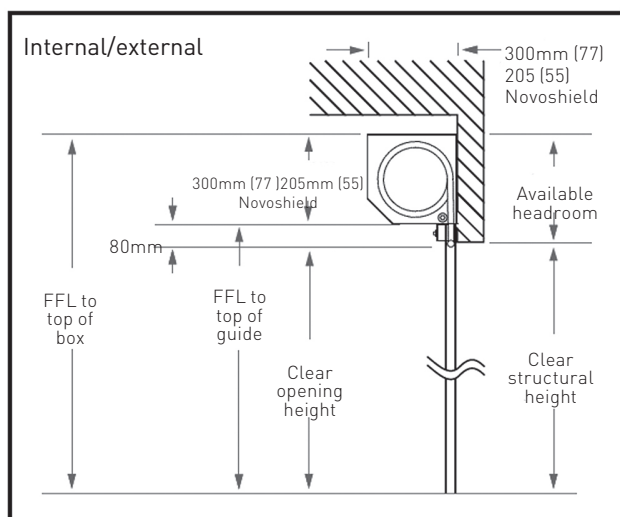
## Fitting within the aperture



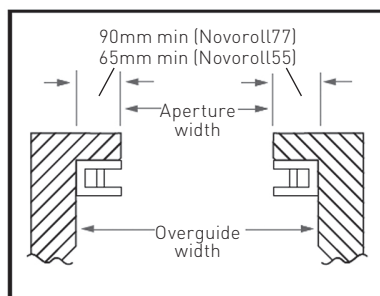
## Fixing options



## Fitting onto the aperture



**SIDE CLEARANCE:** 90mm (65mm) is required only if the guides are to be fully concealed. A minimum of 40mm (30mm) is required to give sufficient room for fixing but a portion of the guide tracks (white as standard) will be visible.



## Fixing options

